

Light Machinery

Drill Press



SKU	353360101
Model No.	RDM-1301BN w/ Laser
Motor (w)	250
Swing (mm)	208
Max. Drilling Capacity (mm)	13
Chuck Capacity (mm)	13
Taper	JT33/B16
Spindle Travel (mm)	50
No. Of Speed	5
Speed Range 50Hz (rpm)	500 ~ 2,500
Overall Height (mm)	580
Measurement (mm)	465x235x345
N.W./G.W. (kgs)	17/19



SKU	353360111
Model No.	RDM-1302BN w/ Laser
Motor (w)	250
Swing (mm)	252
Max. Drilling Capacity (mm)	13
Chuck Capacity (mm)	13
Taper	JT33/B16
Spindle Travel (mm)	60
No. Of Speed	5
Speed Range 50Hz / 60Hz (rpm)	460 - 2,480 / 570 - 3,050
Overall Height (mm)	720
Measurement (mm)	550x380x245
N.W./G.W. (kgs)	28/31



SKU	353360102
Model No.	RDM-1601BN w/Laser
Motor (w)	550
Swing (mm)	340
Max. Drilling Capacity (mm)	16
Chuck Capacity (mm)	16
Taper	MT2
Spindle Travel (mm)	80
No. Of Speed	13/16
Speed Range 50Hz (rpm)	180~2,740 / 220~3,480
Overall Height (mm)	1065
Measurement (mm)	895x490x290
N.W./G.W. (kgs)	55/59

Light Machinery



Drill Press



SKU	353360105
Model No.	RDM-2001BN
Motor (w)	550
Swing (mm)	390
Max. Drilling Capacity (mm)	20
Chuck Capacity (mm)	16
Taper	MT2
Spindle Travel (mm)	80
No. Of Speed	12/16
Speed Range 50Hz (rpm)	180~2,740 / 220~3,020
Overall Height (mm)	1065
Measurement (mm)	895x490x290
N.W./G.W. (kgs)	61/66



SKU	353360103
Model No.	RDM-2801BN
Motor (w)	750
Swing (mm)	430
Max. Drilling Capacity (mm)	28
Chuck Capacity (mm)	20
Taper	MT2/MT3
Spindle Travel (mm)	80
No. Of Speed	16
Speed Range 50Hz (rpm)	160~3,000
Speed Range 60HZ (rpm)	200~3,600
Overall Height (mm)	1085
Measurement (mm)	965x540x290
N.W./G.W. (kgs)	76.5/81

Light Machinery

Drill Press



SKU	353361107
Model No.	RDM-2801FN / Variable Spd
Motor (w)	750
Swing (mm)	430
Max. Drilling Capacity (mm)	28
Chuck Capacity (mm)	20
Taper	MT2/MT3
Spindle Travel (mm)	80
No. Of Speed	16
Speed Range 50Hz (rpm)	160~3,000
Speed Range 60HZ (rpm)	200~3,600
Overall Height (mm)	1635
Measurement (mm)	1410x540x265
N.W./G.W. (kgs)	85/90



SKU	353360106
Model No.	RDM-3201FN
Motor (w)	1100
Swing (mm)	515
Max. Drilling Capacity (mm)	32
Chuck Capacity (mm)	20
Taper	MT3
Spindle Travel (mm)	120
No. Of Speed	12
Speed Range 50Hz (rpm)	110~2880
Speed Range 60HZ (rpm)	140~356
Overall Height (mm)	1700
Measurement (mm)	1170x650x333
N.W./G.W. (kgs)	144/150

Light Machinery

Drill Press



SKU	353360115
Model No.	RDM20G
Motor (w)	1100
Swing (mm)	480
Max. Drilling Capacity (mm)	20
Chuck Capacity (mm)	1-16
Taper	MT2
Spindle Travel (mm)	125
Spindle Speed	5
Speed Range 50Hz (rpm)	365 - 3,150
Speed Range 60HZ (rpm)	450 - 3,870
Overall Height (mm)	1130
Measurement (mm)	830x510x1015
N.W./G.W. (kgs)	111/129

Bench Grinder



SKU	353360201
Model No.	RBG-150N
Power (w)	350
Wheel (mm)	φ 150x20xφ16
Speed 50Hz	2,800 rpm
60 Hz	3,400 rpm
Grit (L/R)	36# / 80#
N.W./G.W. (kgs)	10/9Kg



SKU	353360202
Model No.	RBG-200N
Power (w)	650
Wheel (mm)	φ 200x25xφ16
Speed 50Hz	2,800 rpm
60Hz	3,400 rpm
Grit (L/R)	36# / 80#
N.W./G.W. (kgs)	15/14Kg



SKU	35336xxxx
Model No.	RBG150NP
Power (w)	350
Polishing Wheel (mm)	φ 150x15
Speed 50Hz	2,800 rpm
60Hz	3,400 rpm
N.W./G.W. (kgs)	9/8Kg

Light Machinery

Scroll Saw



SKU	353360400
Model No.	RSS-16DVE
Motor (w)	250
Throat	208
Max Cutting (Thickness)	13
Blade Speed	13
Blade Length	JT33/B16 128/133.33mm
Stroke	50
Table Tilt	0-45
N.W./G.W. (kgs)	14/16
Measurement (mm)	670x330x365

Belt Sander



SKU	353360301
Model No.	RBDS-46A
Motor (w)	375
Belt Size	4"x36"
Disc Size	6
Work Table Size (mm)	225x155
Work Table Tilt	0-45°
Belt Table Tilt	0-90°
Motor Speed	2850 rpm/50Hz 3450 rpm/60Hz
N.W./G.W. (kgs)	17/18
Measurement (mm)	560x265x300

Wood Working Saw



SKU	353360405
Model No.	RBS-315A
Workpiece Height Max (mm)	160
Throat	305
Table size	548x400
Blade:	2240x12.5x0.5
Table tilt	0-45°
N.W./G.W. (kgs)	78/75Kg

Light Machinery

SKU	35336XXXX
Model No.	RTS-200A
Rated Input Power	720W / 800W
Speed	2,950 rpm
Blade Dimension	205mm
Max Saw Height	43mm
Tilting Range	0-45°
Table Size (mm)	515x400
Rated Volt / Frequency	230V / 50Hz
N.W./G.W.(kgs)	16/17
Measurement (mm)	530x410x330



Table Saw



SKU	353360411
Model No.	RTS-315G
Motor	1800W (230V)
Speed	2,800 rpm
Blade Dimension	315mm
Height Adjustment	82/49mm
Tilting Range	0-45°
Table Size (mm)	800x550
Table Height (mm)	810
N.W./G.W.(kgs)	49/51

Dust Collector



SKU	353360403
Model No.	RDC-100
Motor	750W, 230V
Speed	2,840rpm
Inlet (mm)	100
NW(kgs)	33
Measurement (mm)	670x420x420

SKU	353360404
Model No.	RDC-200
Motor	1500W, 230V
Speed	2,850rpm
Inlet (mm)	100 x 2
NW(kgs)	56
Measurement (mm)	920x580x580

Light Machinery

MA 615 Portable Bandsaw

SKU: 350001131

Applications

Tough, durable and long-lasting cutting machines

The MA 615 is an incredibly tough and hard-working portable bandsaw. The frame is jig welded 1/8 section steel for both strength and lightness. All wheels have dual sealed bearings to ensure years of smooth operation. Machine covers are formed in automotive specification ABS, which again adds to the durability and lightness of this product. The unit comes with a top quality 3/4 horse power 2 pole motor, mated to a precision machined gearbox for outstanding mechanical reliability.

Built to last - you'll never need to invest in another bandsaw ever again!

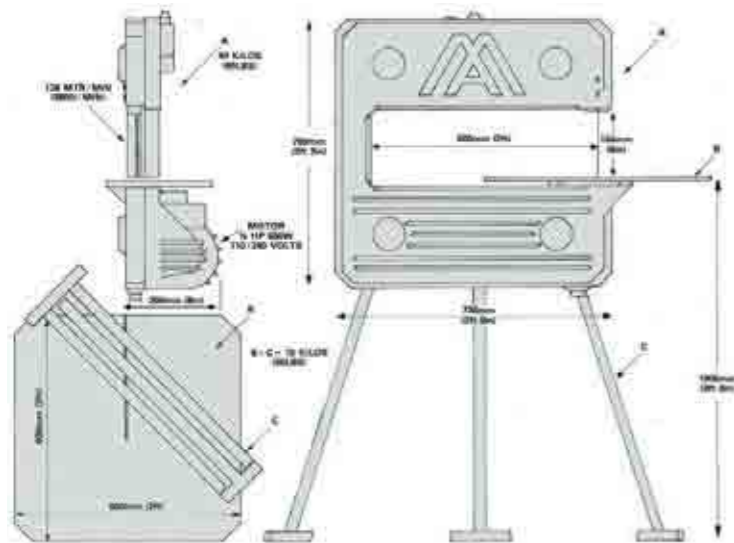
Enjoy many years of excellent service

The MA 615 really is very resilient. We have sold machines that operate in the most testing environments day in and day out – only pausing to have a worn blade replaced. These machines are used throughout the world by thousands of satisfied customers – so don't suffer downtime when you can have a machine that will remain trouble-free for years to come.

If you need a solid, reliable and portable bandsaw, then there is only one option - the MA 615.

The MA 615 Portable Bandsaw can cut through:

- Floor Panels
- Slate Block
- Steel Pipe
- Reinforced Concrete
- Rail Panels



Light Machinery

Arges Portable Generator



SKU	35138150001
Model No.	HD950
Rated voltage	220, 230, 240v
Max output	0.7 KW
Rated output	0.65 KW
Power factor	1
Mode	GH1E45F
Type	Forced air-cooled, 2 stoke, reed valve, 1 cylinder
Displacement	63ml
Max output	2.0 HP / 3600 RPM
Fuel	Gasoline and oil mixture
Fuel tank	4.2L
Continuous operation	6.3hours
Oil	ERB petrolic oil or higher
Oil alert	None
Fuel Tank capacity	4.2L
Ignition system	C.D.I
Starting system	recoil
Noise level Bb(A)(4)	65 / 66
Net dimension(mm)	380 x 310 x 310
Overall dimension(mm)	400 x 330 x 330
Net/Dry weight	18.5 / 21.5kgs

Mild Steel Flat Bar Bender



SKU	357990113
Model No.	UB100
Flat Bar	100*5.6*8.3*12mm
Square Bar	1*16mm
Round Bar	Dia. 18mm
Angle Bar	60*8mm
Net Weight	32 Kg

Light Machinery

Industrial Blower

"GRANDEUR" POWERFUL INDUSTRIAL BLOWERS

Detailed Product Description Portable Blowers Series

- *SJ-S20 ~ SJ-S30 Series Portable Axial Blower (Stand Style)(8,10,12)
- *Novel outlook ,excellent craftwork ,novel style
- *Supporter and handle flexible using ,movable operation
- *Utilizes CAD optimized design for blade and air outlet, large air flow and high pressure
- *Connecting a flexible soft duct ,high pressure under long distance
- *Suitable for underground ,telecommunication, repairing tunnel project, construction site and so on.



SKU	Model	Size mm	V	phase	HZ	W	r/min	m3/min	(Pa)	Db(A)
3579611200	SJ-S20	200	230V	1	50/60	230	2800	25	245	63
3579611250	SJ-S25	250	230V	1	50/60	320	2800	43	294	68
3579611300	SJ-S30	300	230V	1	50/60	520	2800	65	373	71

Detailed Product Description Moveable Blowers Series

- *SJ-40 ~ SJ-S60 Series Moveable Axial Blower (16,20,24)
- *Novel outlook ,excellent craftwork ,novel style
- *Supporter with wheels ,moveable operation
- *Angle-adjustable, large air flow and high pressure
- *Connecting a flexible soft duct ,high pressure under long distance
- *Suitable for underground ,telecommunication, repairing tunnel project, construction site and so on.



SKU	Model	Size mm	V	phase	HZ	W	r/min	m3/min	(Pa)	Db(A)
3579611400	SJ-S40	400	230V	1	50/60	1500	2800	162	972	80
3579611500	SJ-S50	500	230V	1	50/60	1500	2800	200	1050	88
3579611600	SJ-S60	600	415V	3	50/60	2200	2800	290	1100	92

Detailed Product Description Heavy Duty Duct Hose

SKU	Model	Size mm	Length-M	NW	GW
2979611200	DH-5-200	200	5	7	8
2979611250	DH-5-250	250	5	8.3	8.8
2979611300	DH-5-300	300	5	11	11.6
2979611400	DH-5-400	400	5	19	20
2979611500	DH-5-500	500	5	24	27
2979611600	DH-5-600	600	5	29	31.5



Abrasive

Water-Proof

SKU	Description	Model
015190101	HAWK SANDPAPER 9"X11"XG60	G60
015190102	HAWK SANDPAPER 9"X11"XG80	G80
015190103	HAWK SANDPAPER 9"X11"XG100	G100
015190104	HAWK SANDPAPER 9"X11"XG120	120
015190105	HAWK SANDPAPER 9"X11"XG150	G150
015190106	HAWK SANDPAPER 9"X11"XG180	G180
015190107	HAWK SANDPAPER 9"X11"XG220	G220
015190108	HAWK SANDPAPER 9"X11"XG240	G240
015190109	HAWK SANDPAPER 9"X11"XG280	G280
015190110	HAWK SANDPAPER 9"X11"XG320	G320
015190111	HAWK SANDPAPER 9"X11"XG360	G360
015190112	HAWK SANDPAPER 9"X11"XG400	G400
015190113	HAWK SANDPAPER 9"X11"XG500	G500
015190114	HAWK SANDPAPER 9"X11"XG600	G600
015190115	HAWK SANDPAPER 9"X11"XG800	G800
015190116	HAWK SANDPAPER 9"X11"XG1000	G1000
015190117	HAWK SANDPAPER 9"X11"XG1200	G1200
015190118	HAWK SANDPAPER 9"X11"XG1500	G1500
015190119	HAWK SANDPAPER 9"X11"XG2000	G2000

Sanding Cloth A/O

SKU	Description	Model
011380123	CHINA SANDING CLOTH A/O #00	#00
011380124	CHINA SANDING CLOTH A/O #0	#0
011380125	CHINA SANDING CLOTH A/O #1	#1
011380126	CHINA SANDING CLOTH A/O #1 1/2	#1 1/2
011380127	CHINA SANDING CLOTH A/O #2	#2
011380128	CHINA SANDING CLOTH A/O #2 1/2	#2 1/2
011380129	CHINA SANDING CLOTH A/O #3	#3
011380130	CHINA SANDING CLOTH A/O #4	#3

Sandpaper Wood

SKU	Description	Model
015190124	HAWK SC LUBRICATED SANDPAPER #120	SC120
015190125	HAWK SC LUBRICATED SANDPAPER #150	SC150
015190126	HAWK SC LUBRICATED SANDPAPER #180	SC180
015190128	HAWK SC LUBRICATED SANDPAPER #240	SC240
015190129	HAWK SC LUBRICATED SANDPAPER #280	SC280
015190130	HAWK SC LUBRICATED SANDPAPER #320	SC320
015190131	HAWK SC LUBRICATED SANDPAPER #360	SC360
015190132	HAWK SC LUBRICATED SANDPAPER #400	SC400