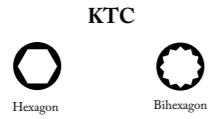


Hand Tools

KTC Socket Set



Item B3013R - 17pcs (SKU 13236107)

Metal Case: 8H, 10H, 12H, 13, 14, 17, 19
 385 x 100 x 55mm 22, 24, 27, 30, 32mm. Ratchet Handle
 3.6kg; 10sets/Box Ext bar 75mm, 150mm, Uni joint..

Item B313R - 17pcs (SKU 1326108)

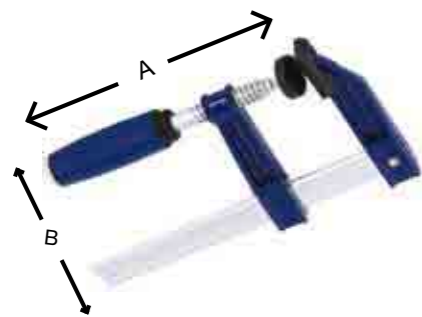
Metal Case: 3/8"H, 7/16"H, 1/2", 9/16", 19/32",
 385 x 100 x 55mm 5/8", 11/16", 3/4", 25/32", 13/16"
 3.6kg; 10sets/Box 7/8", 15/16", 1". Ratchet Handle
 Ext Bar 75mm, 150mm. Uni Joint

M10 ^(R) 1/2" Dr Socket Set	
SKU	Description
	Item 419M -24pcs
	6ptSkt: 8, 10, 11, 12, 13, 14, 15, 16, 17, 18, 19, 20, 21, 22, 23, 24, 27, 30, 32mm.
	Ratchet Handle. Ext Bar 3", 10". Universal Joint. T-Handle.

- Chrome-vanadium steel, Chrome-plated



Bessy F-Clamp



M10 ^(R) F-Clamp			
SKU	Size	B x A (mm)	Box
138286001	4"	50 x 100	20
138286002	6"	80 x 160	10
138286003	8"	80 x 200	10
138286004	10"	80 x 250	10
138286005	12"	100 x 300	10
138286006	18"	100 x 450	10
138286007	24"		

- Made of DIN5117 malleable iron, heavy duty type, complete with plastic caps and no-slip stopper

Fastener

Fischer Chemical Dispenser



FIS AM Dispenser

Suitable For:
 FIS V 360 S / FIS HB 345 S
 / FIS VS 150 C



FIS AK Dispenser

Suitable For:
 FIS V 360 S / FIS HB 345 S
 / FIS VS 150 C

Fischer Chemical Anchor

FIS EM 390S



FIS EM 360S



Fastener



HLD

SKU	Description	Quantity
101740701P150	Hilti Anchor HLD 2	(150/Pack)
101740702B100	Hilti Anchor HLD 3	(100/Box)
101740703B100	Hilti Anchor HLD 4	(100/Box)

HPS



SKU	Description	Size (Dia.x length)
10099010525	A-PLUG NYLON PLUG, NPS5025	5mm x 25mm
10099010533	A-PLUG NYLON PLUG, NPS5033	5mm x 33mm
10099010640	A-PLUG NYLON PLUG, NPS6040	6mm x 40mm
10099010650	A-PLUG NYLON PLUG, NPS6050	6mm x 50mm
10099010665	A-PLUG NYLON PLUG, NPS6065	6mm x 65mm
10099010850	A-PLUG NYLON PLUG, NPS8050	8mm x 50mm
10099010870	A-PLUG NYLON PLUG, NPS8070	8mm x 70mm
10099010890	A-PLUG NYLON PLUG, NPS8090	8mm x 90mm

Foil Pack



SKU	Description
101741001	Hilti Dual Foil Pack 330ML HY150



SKU	Description
101741000	Hilti Dual Foil Pack 330ML HY70
101741003	Hilti Dual Foil Pack 330ML RE500

Fastener

Expanding Bolts



SHELL TYPE A
STEEL SHERARDIZED
Conical Bolt, Hexagon Nut & Washer

SKU	Dimension	Diameter Bore-Hole (mm)	Max. Fixing Thickness (mm)	Depth Bore-Hole (mm)	Std Packing per Box
	M5 x 50 x 35	8	10	40	50 pcs
	M5 x 60 x 35	8	20	40	50 pcs
	M5 x 80 x 35	8	40	40	50 pcs
	M6 x 50 x 35	10	8	40	50 pcs
	M6 x 60 x 40	10	13	45	50 pcs
	M6 x 75 x 40	10	28	45	50 pcs
	M6x 100x40	10	53	45	50 pcs
	M8 x 55 X 40	14	7	45	50 pcs
	M8 X 75 x 40	14	27	45	50 pcs
	M8 X 75 x 50	14	17	55	50 pcs
	MS x 100x50	14	42	55	50 pcs
	M8 x 120 x 50	14	62	55	50 pcs
	M8x 140x50	14	82	55	25 pcs
	M8x 160x50	14	102	55	25 pcs
	M10X55 x40	18	5	45	50 pcs
	M10x70x 50	16	10	55	50 pcs
	M10x 80x50	16	20	55	50 pcs
	M10x 80x60	16	10	65	50 pcs
	M10x 100x50	16	40	55	50 pcs
	M10x100x60	16	30	65	50 pcs
	M10x120x60	16	50	65	25 pcs
	M10x140x60	16	70	65	25 pcs
	M10 x 160x60	16	90	65	25 pcs
	M12 x80 x60	20	8	70	25 pcs
	M12 x 90 x 60	20	18	70	25 pcs
	M12 x 110x60	20	38	70	25 pcs
	M12 x 110x80	20	18	90	25 pcs
	M12 x 120x60	20	48	70	25 pcs
	M12 x 120x80	20	28	90	25 pcs
	M12 x 140 x 80	20	48	90	10 pcs
	M12 x 140 x 100	20	28	110	10 pcs
	M12 x 160 X 80	20	65	90	10 pcs
	M12 x 160 x 100	20	48	110	10 pcs
	M16x 110x 80	25	15	90	10 pcs
	M16 x 140 x 80	25	45	90	10 pcs
	M16x140x 100	25	25	110	10 pcs

Fastener

Expanding Hook Bolts

SHELL TYPE H (PATENTED), STEEL SHERARDIZED - Zinc plated hook bolt, Hexagon Nut & Washer

SKU	Dimension	Diameter Bore-Hole (mm)	Depth Bore-Hole (mm)	Std Packing per Box
	M5 x 50 x 35	8	40	25 pcs
	M6 x 60 X 40	10	45	25 pcs
	M8 x 75 X 50	14	55	25 pcs



Expanding Eye Bolts

SHELL TYPE H (PATENTED), STEEL SHERARDIZED - Zinc plated hook bolt, Hexagon Nut & Washer

SKU	Dimension	Diameter Bore-Hole (mm)	Depth Bore-Hole (mm)	Std Packing per Box
	M5 x 60 x 35	8	40	50 pcs
	M6 x 70 x 40	10	45	25 pcs
	M8 x 90 x 50	14	55	25 pcs
	M10x 110x60	16	65	10 pcs
	M12X 140x80	20	85	10 pcs
	M16 x 180 x 100	25	110	10 pcs



Open Expanding Eye Bolts

SHELL TYPE H (PATENTED), STEEL SHERARDIZED - Zinc plated hook bolt, Hexagon Nut & Washer

SKU	Dimension	Diameter Bore-Hole (mm)	Depth Bore-Hole (mm)	Std Packing per Box
	M5 x 60 x 35	8	40	50 pcs
	M6 x 70 x 40	10	45	25 pcs
	M8x 90x50	14	55	25 pcs
	M10x 110x60	16	65	10 pcs
	M12x 140x80	20	85	10 pcs
	M16x 180 x 100	25	110	10 pcs



Expanding Hexagon Head Bolts

SHELL TYPE H (PATENTED), STEEL SHERARDIZED - Conical Nut, Washer & Hexagon setpin

SKU	Dimension	Diameter Bore-Hole (mm)	Depth Bore-Hole (mm)	Std Packing per Box
	M5 x 60 x 35	8	40	50 pcs
	M6 x 70 x 40	10	45	25 pcs
	M8 x 90 x 50	14	55	25 pcs
	M10x 110x60	16	65	10 pcs
	M12X 140x80	20	85	10 pcs
	M16 x 180 x 100	25	110	10 pcs



Fastener

Homely Sleeve Anchor

SKU	Description
105011442	Homely Sleeve Anchor M8 x 40
105011445	Homely Sleeve Anchor M10 x 55
105011449	Homely Sleeve Anchor M12 x 55
105011450	Homely Sleeve Anchor M12 x 75
105011451	Homely Sleeve Anchor M12 x 100
105011452	Homely Sleeve Anchor M16 x 65
105011453	Homely Sleeve Anchor M16 x 110
105011601	Homely S/S Sleeve Anchor M8 x 40
105011602	Homely S/S Sleeve Anchor M10 x 50
105011604	Homely S/S Sleeve Anchor M12 x 60



Homely Wedge Anchor

SKU	Description
1050114303	Homely Wedge Anchor WA-M8 x 65
1050114305	Homely Wedge Anchor WA-M10 x 75
1050114306	Homely Wedge Anchor WA-M10 x 90
1050114308	Homely Wedge Anchor WA-M12 x 80
1050114309	Homely Wedge Anchor WA-M12 x 100
1050114310	Homely Wedge Anchor WA-M12 x 120
1050114312	Homely Wedge Anchor WA-M16 x 100
1050114313	Homely Wedge Anchor WA-M16 x 140
1050114316	Homely Wedge Anchor WA-M20 x 160
105010501	Homely S/S Wedge Anchor WA-SS-M6 x 55
105010502	Homely S/S Wedge Anchor WA-SS-M8 x 65
1050105021	Homely S/S Wedge Anchor WA-SS-M8 x 75
105010503	Homely S/S Wedge Anchor WA-SS-M10 x 75
105010504	Homely S/S Wedge Anchor WA-SS-M10 x 90
105010505	Homely S/S Wedge Anchor WA-SS-M12 x 80
105010506	Homely S/S Wedge Anchor WA-SS-M12 x 100



Homely Drop in Anchor

SKU	Description
105011401	Homely Drop in Anchor DA-1/4 x 25L
105011402	Homely Drop in Anchor DA-5/16 x 30L
105011403	Homely Drop in Anchor DA-3/8 x 40L
105011404	Homely Drop in Anchor DA-3/8 x 30L
105011405	Homely Drop in Anchor DA-1/2 x 50L



Fastener



Pan head self-tapping screws

*Size x Length

#6 x 3/8", 1/2", 5/8", 3/4", 1", 1 1/4", 1 1/2", 2", 2 1/2", 3"
 #8 x 3/8", 1/2", 5/8", 3/4", 1", 1 1/4", 1 1/2", 2", 2 1/2", 3"
 #10 x 3/4", 1", 1/4", 1/2", 2", 2 1/2", 3"



Flat head self-drilling screws

*Size x Length

#8 x 1/2", 5/8", 3/4", 1", 1 1/4", 1 1/2", 2"



Flat head self-tapping screws

*Size x Length

#6 x 3/8", 1/2", 5/8", 3/4", 1", 1 1/4", 1 1/2", 2", 2 1/2", 3"
 #8 x 3/8", 1/2", 5/8", 3/4", 1", 1 1/4", 1 1/2", 2", 2 1/2", 3"
 #10 x 3/4", 1", 1/4", 1/2", 2", 2 1/2", 3"



Drywall screws

*Size x Length

#6 x 3/4", 1", 1 1/4", 1 1/2", 2", 2 1/2", 3"
 #8 x 1", 1 1/4", 1 1/2", 2", 2 1/2", 3"



Pan head self-drilling screws

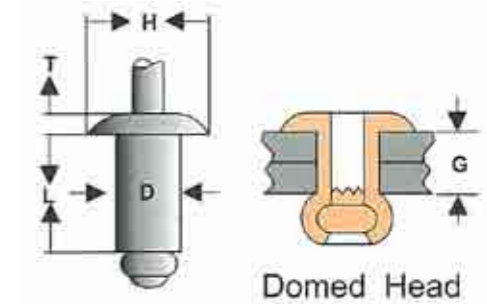
*Size x Length

#6 x 3/8", 1/2", 5/8", 3/4", 1", 1 1/4"
 #8 x 3/8", 1/2", 5/8", 3/4", 1", 1 1/4", 1 1/2", 2"

Fastener

SRC Aluminium Alloy Rivets with Steel Mandrels

Domed Head



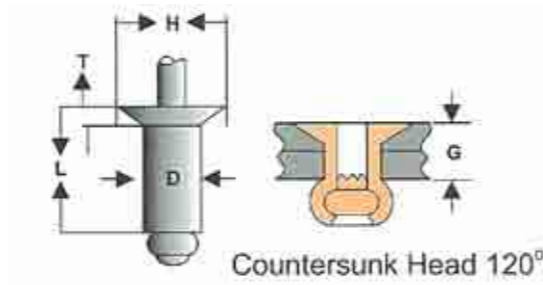
Domed Head

SKU	RIVET DIAMETER D	HOLE SIZE (inch)	RIVET LENGTH L(nom.)	GRIP RANGE G	HEAD DIAMETER H	HEAD THICKNESS T(max.)	STANDARD STRENGTH Lbs (min.)	
							SHEAR	TENSILE
103257001K 103257002K	3/32	0.097 0.100	1/4	Up to 0.130 0.130-0.210 0.210-0.250 0.250-0.390	0.178 0.198	0.032	70	80
5/16 3/8 1/2								
103257003K 103257004K 103257005K 103257006K	1/8	0.129 0.133	3/16	Up to 0.063 0.063-0.126 0.126-0.189 0.189-0.251 0.251-0.315 0.315-0.378 0.378-0.504 0.504-0.630 0.630-0.748 0.748-0.874	0.238 0.262	0.040	120	150
1/4								
5/16								
3/8								
103257008K 103257009K 103257010K	5/32	0.160 0.164	7/16	Up to 0.094 0.094-0.157 0.157-0.220 0.220-0.291 0.291-0.342 0.342-0.476 0.476-0.594 0.594-0.716 0.716-0.842	0.296 0.328	0.050	190	230
1/2								
5/8								
3/4								
103257012K	3/16	0.192 0.196	1	Up to 0.063 0.063-0.126 0.126-0.189 0.189-0.259 0.259-0.311 0.311-0.445 0.445-0.563 0.563-0.685 0.685-0.811	0.356 0.394	0.060	260	320
1/4								
5/16								
3/8								
103257017K 103257018K 103257019K	1/4	0.257 0.261	7/8	0.094-0.248 0.248-0.382 0.382-0.500 0.500-0.622 0.622-0.748	0.475 0.525	0.080	460	560
1								
5/8								
3/4								
103257021K	1/4	0.257 0.261	7/8	0.094-0.248 0.248-0.382 0.382-0.500 0.500-0.622 0.622-0.748	0.475 0.525	0.080	460	560
1								
5/8								
3/4								
103257022K 103257023K 103257024K	1/4	0.257 0.261	1	0.094-0.248 0.248-0.382 0.382-0.500 0.500-0.622 0.622-0.748	0.475 0.525	0.080	460	560
5/8								
3/4								
1								
103257027K 103257028K 103257029K	1/4	0.257 0.261	7/8	0.094-0.248 0.248-0.382 0.382-0.500 0.500-0.622 0.622-0.748	0.475 0.525	0.080	460	560
1								
5/8								
3/4								
103257031K 103257034K 103257035K 103257036K	1/4	0.257 0.261	1	0.094-0.248 0.248-0.382 0.382-0.500 0.500-0.622 0.622-0.748	0.475 0.525	0.080	460	560
5/8								
3/4								
1								
103257038K	1/4	0.257 0.261	7/8	0.094-0.248 0.248-0.382 0.382-0.500 0.500-0.622 0.622-0.748	0.475 0.525	0.080	460	560
1								
5/8								
3/4								

Fastener

SRC Aluminium Alloy Rivets with Steel Mandrels

Countersunk Head

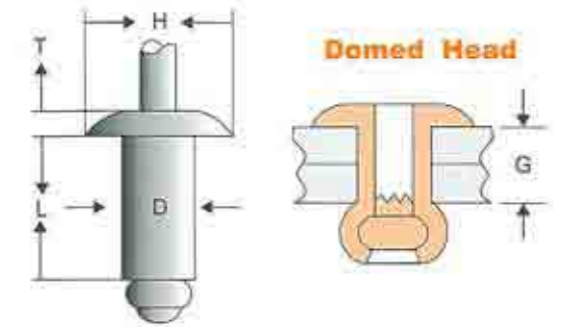


SKU	RIVET DIAMETER D	HOLE SIZE (inch)	RIVET LENGTH L(nom.)	GRIP RANGE G	HEAD DIAMETER H	HEAD THICKNESS T(max.)	STANDARD STRENGTH Lbs (min.)	
							SHEAR	TENSILE
	3/32	0.097 0.100	1/4	Up to 0.130	0.178 0.198	0.032	70	80
5/16			0.130—0.210					
3/8			0.210—0.250					
1/2			0.250—0.390					
	1/8	0.129 0.133	3/16	Up to 0.063	0.238 0.262	0.040	120	150
1/4			0.063—0.126					
5/16			0.126—0.189					
3/8			0.189—0.251					
7/16			0.251—0.315					
1/2			0.315—0.378					
5/8			0.378—0.504					
3/4			0.504—0.630					
7/8			0.630—0.748					
1			0.748—0.874					
	5/32	0.160 0.164	1/4	Up to 0.094	0.296 0.328	0.050	190	230
5/16			0.094—0.157					
3/8			0.157—0.220					
7/16			0.220—0.291					
1/2			0.291—0.342					
5/8			0.342—0.476					
3/4			0.476—0.594					
7/8			0.594—0.716					
1			0.716—0.842					
			3/16	0.192 0.196				
5/16	0.063—0.126							
3/8	0.126—0.189							
7/16	0.189—0.259							
1/2	0.259—0.311							
5/8	0.311—0.445							
3/4	0.445—0.563							
7/8	0.563—0.685							
1	0.685—0.811							
	1/4	0.257 0.261			1/2	0.094—0.248	0.475 0.525	0.080
5/8			0.248—0.382					
3/4			0.382—0.500					
7/8			0.500—0.622					
1			0.622—0.748					

Fastener

SRC Stainless Steel Rivets with Steel Mandrels

Domed Head



Using Stainless Steel for the rivets bodies, the rivets are available for assembling with the steel mandrels according to the actual applications.

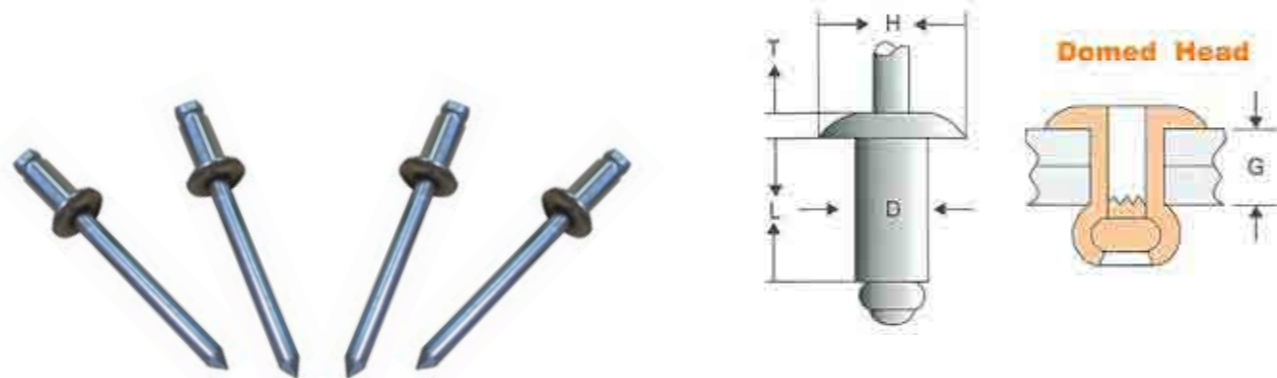
The rivets are ideal for settings that requires high strength and resistance to corrosion.

SKU	RIVET DIAMETER D	HOLE SIZE	RIVET LENGTH L(max.)	GRIP RANGE G	HEAD DIAMETER H	HEAD THICKNESS T(max.)	STANDARD STRENGTH Lbs (min.)							
							SHEAR	TENSILE						
103257704K	1/8	0.129 0.133	1/4	Up to 0.126	0.238 0.262	0.040	420	530						
103257705K			5/16	0.126 — 0.189										
103257706K			3/8	0.189 — 0.251										
103257708K			7/16	0.251 — 0.315										
103257709K			1/2	0.315 — 0.378										
103257710K			5/8	0.378 — 0.504										
103257713K	5/32	0.160 0.164	1/4	Up to 0.094	0.296 0.328	0.050	650	820						
103257714K			5/16	0.094 — 0.157										
103257715K			3/8	0.157 — 0.220										
103257716K			7/16	0.220 — 0.291										
103257717K			1/2	0.291 — 0.342										
103257718K			5/8	0.342 — 0.476										
103257723K			3/16	0.192 0.196					5/16	Up to 0.126	0.356 0.394	0.060	950	1200
103257724K									3/8	0.126 — 0.189				
103257727K	7/16	0.189 — 0.259												
103257728K	1/2	0.259 — 0.311												
103257729K	5/8	0.311 — 0.445												
103257730K	3/4	0.445 — 0.563												
103257731K	1/4	0.257 0.261	7/8	0.563 — 0.685	0.475 0.525	0.080	460	560						
103257732K			1	0.685 — 0.811										

Fastener

SRC Stainless Steel Rivets with SS Mandrels

Domed Head



Using Stainless Steel for the rivets bodies, the rivets are available for assembling with the stainless steel mandrels according to the actual applications.

The rivets are ideal for settings that requires high strength and resistance to corrosion.

SKU	RIVET DIAMETER D	HOLE SIZE	RIVET LENGTH L(max.)	GRIP RANGE G	HEAD DIAMETER H	HEAD THICKNESS T(max.)	STANDARD STRENGTH Lbs (min.)	
							SHEAR	TENSILE
	1/8	0.129 0.133	1/4	Up to 0.126	0.238 0.262	0.040	420	530
			5/16	0.126 – 0.189				
			3/8	0.189 – 0.251				
			7/16	0.251 – 0.315				
			1/2	0.315 – 0.378				
			5/8	0.378 – 0.504				
	5/32	0.160 0.164	1/4	Up to 0.094	0.296 0.328	0.050	650	820
			5/16	0.094 – 0.157				
			3/8	0.157 – 0.220				
			7/16	0.220 – 0.291				
			1/2	0.291 – 0.342				
			5/8	0.342 – 0.476				
	3/16	0.192 0.196	5/16	Up to 0.126	0.356 0.394	0.060	950	1200
			3/8	0.126 – 0.189				
			7/16	0.189 – 0.259				
			1/2	0.259 – 0.311				
			5/8	0.311 – 0.445				
			3/4	0.445 – 0.563				
			7/8	0.563 – 0.685				
			1	0.685 – 0.811				

Packaging Products

OPP Tape (122)



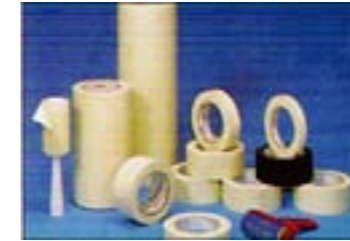
Applications
Packing of cardboard boxes (light and heavy packing), inner box packing, taping of PVC pipe, wire binding, repair of broken or cracked plastic products, joining or repair of vinyl crop covers temporary repair of cracks in linoleum.

Cloth Tape (888)



Applications
Packing of cardboard boxes (heavy packing), protection of pipe surfaces, distinguishing marking of cold water pipes, oil pipes and gas pipes.

Masking Tape (101)



Applications
Inner box packing of furniture, masking for painting vehicles.

Vinyl Tape (302)



Applications
Insulation of high voltage electricity, connecting PVC pipe.

Surface Protect Tape



Applications
Protection of stainless steel sheets, aluminium sheets, coloured steel sheets, named plates and decorative plywood during transportation, storage or when being worked on.

Aluminum Foil Tape (800)



Applications
* Electrical ricepot
* Refrigerator other electric home appliances.
* Duct protection

Double Sided Tape



Applications
* Sewing
* Fixing of nameplate
* Furniture
* Plastics
* Sticking of vehicle rubber-plate

Orien Tape (803)



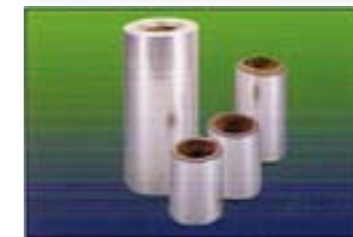
Applications
* Oriented polypropylene
* Tensile Strength: 20kg/25mm
* Thickness: 0.09mm
* Standard Colours: Transparent, Beige

Cellulose Tape



Applications
* General use & Light packaging
* Easy to handle

Pallet-Stretch Film (904)



Applications
* Width: 500mm
* Length: 200m / 300m
* Weight: 2Kg / 3 Kg
* Colour: Clear
*Black colour available